

Plastics piping systems for the supply of gaseous fuels — Polyethylene (PE) —

Part 3: Fittings

The European Standard EN 1555-3:2002, with the incorporation of amendment A1:2005, has the status of a British Standard

ICS 23.040.45; 91.140.40

National foreword

This British Standard is the official English language version of EN 1555-3:2002, including amendment A1:2005. This part of EN 1555 comprises a revision of BS 7336:1990. It is intended that this British Standard will be declared obsolescent by December 2004.

The start and finish of text introduced or altered by CEN amendment is indicated in the text by tags **A1** **A1**. Tags indicating changes to CEN text carry the number of the CEN amendment. For example, text altered by CEN amendment A1 is indicated by **A1** **A1**.

NOTE 1 CEN/TC 234 in co-operation with CEN/TC 155 drafted an installation document for gas applications and this was published as EN 12007-2:2000, *Gas supply systems — Pipelines for maximum operating pressure up to and including 16 bar — Part 2: Specific functional recommendations for polyethylene (MOP up to and including 10 bar)*¹⁾. As a consequence of this, TC 155 agreed that they would not draft a Part 6 in the EN 1555 series.

NOTE 2 Part 7 has been prepared as a CEN/TS to allow further development. CEN/TS 1555-7 is not mandatory under the Public Procurement Directive.

The UK participation in its preparation was entrusted by Technical Committee PRI/88 (previously PRI/61), Plastics piping systems, to Subcommittee PRI/88/2 (previously PRI/61/2), Plastics piping for pressure applications, which has the responsibility to:

- aid enquirers to understand the text;
- present to the responsible international/European committee any enquiries on the interpretation, or proposals for change, and keep UK interests informed;
- monitor related international and European developments and promulgate them in the UK.

A list of organizations represented on this subcommittee can be obtained on request to its secretary.

Attention is drawn to any appropriate safety precautions. It is assumed in the drafting of a standard that the execution of its provisions is entrusted to appropriately qualified and competent people.

The UK National Annex NA attached to this standard provides additional information on the selection and installation of piping systems and components in the UK.

Attention is drawn to the following statutory regulations:

Health and Safety at Work etc. Act 1974 and subsequent regulations.

Cross-references

The British Standards which implement international or European publications referred to in this document may be found in the *BSI Catalogue* under the section entitled “International Standards Correspondence Index”, or by using the “Search” facility of the *BSI Electronic Catalogue* or of British Standards Online.

This publication does not purport to include all the necessary provisions of a contract. Users are responsible for its correct application.

Compliance with a British Standard does not of itself confer immunity from legal obligations.

¹⁾ It is the opinion of Technical Committee PRI/88 that the Code of Practice published by the gas industry represents established UK practice, copies of which are available from the current national network distributor, Transco.

Summary of pages

This document comprises a front cover, an inside front cover, the EN title page, pages 2 to 22, two National Annex NA pages, an inside back cover and a back cover.

The BSI copyright notice displayed in this document indicates when the document was last issued.

Amendments issued since publication

Amd. No.	Date	Comments
15791	30 June 2006	See national foreword

ICS 23.040.45; 91.140.40

English version

Plastics piping systems for the supply of gaseous fuels -
Polyethylene (PE) - Part 3: Fittings
(includes amendment A1:2005)

Systèmes de canalisations en plastique pour la distribution
de combustibles gazeux - Polyéthylène (PE) - Partie 3:
Raccords
(inclut l'amendement A1:2005)

Kunststoff-Rohrleitungssysteme für die Gasversorgung -
Polyethylen (PE) - Teil 3: Formstücke
(enthält Änderung A1:2005)

This European Standard was approved by CEN on 1 November 2002. Amendment A1:2005 was approved by CEN on 3 April 2005.

CEN members are bound to comply with the CEN/CENELEC Internal Regulations which stipulate the conditions for giving this European Standard the status of a national standard without any alteration. Up-to-date lists and bibliographical references concerning such national standards may be obtained on application to the Management Centre or to any CEN member.

This European Standard exists in three official versions (English, French, German). A version in any other language made by translation under the responsibility of a CEN member into its own language and notified to the Management Centre has the same status as the official versions.

CEN members are the national standards bodies of Austria, Belgium, Cyprus, Czech Republic, Denmark, Estonia, Finland, France, Germany, Greece, Hungary, Iceland, Ireland, Italy, Latvia, Lithuania, Luxembourg, Malta, Netherlands, Norway, Poland, Portugal, Slovakia, Slovenia, Spain, Sweden, Switzerland and United Kingdom.



EUROPEAN COMMITTEE FOR STANDARDIZATION
COMITÉ EUROPÉEN DE NORMALISATION
EUROPÄISCHES KOMITEE FÜR NORMUNG

Management Centre: rue de Stassart, 36 B-1050 Brussels

Contents

	page
Foreword	4
Introduction	5
1 Scope	6
2 Normative references	6
3 Terms and definitions, symbols and abbreviations	7
4 Material	8
4.1 Compound.....	8
4.2 Material for non-polyethylene parts.....	8
4.2.1 General.....	8
4.2.2 Metal parts.....	8
4.2.3 Elastomers	9
4.2.4 Other materials.....	9
5 General characteristics	9
5.1 Appearance	9
5.2 Colour	9
5.3 Design	9
5.4 Appearance of the joint (factory-made).....	9
5.5 Electrical characteristics for electrofusion fittings	9
6 Geometrical characteristics	10
6.1 Measurement of dimensions	10
6.2 Dimensions of electrofusion socket fittings	10
6.2.1 Diameters and lengths of sockets.....	10
6.2.2 Wall thicknesses	11
6.2.3 Out-of-roundness of the bore of a fitting (at any point)	12
6.2.4 Spigots	12
6.2.5 Other dimensions	12
6.3 Dimensions of electrofusion saddle fittings.....	12
6.4 Dimensions of spigot end fittings	13
6.4.1 Diameters and lengths	13
6.4.2 Wall thickness of the fusion end.....	14
6.4.3 Wall thickness of the fitting body.....	14
6.4.4 Other dimensions	15
6.5 Dimensions of mechanical fittings.....	15
6.5.1 General.....	15
6.5.2 Mechanical fittings with polyethylene spigot ends	15
6.5.3 Mechanical fittings with polyethylene electrofusion sockets.....	15
6.5.4 Threads	15
7 Mechanical characteristics	15
7.1 General.....	15
7.2 Requirements.....	16
8 Physical characteristics	18
8.1 Conditioning	18
8.2 Requirements.....	18
9 Performance requirements	18
10 Marking	18

10.1	General	18
10.2	Minimum required marking	18
10.3	Additional marking.....	19
11	Delivery conditions	19
Annex A	(informative) Examples of typical terminal connection for electrofusion fittings	20
Bibliography	22

Foreword

This document EN 1555-3:2002 has been prepared by Technical Committee CEN /TC 155, "Plastics piping systems and ducting systems", the secretariat of which is held by NEN.

This European Standard shall be given the status of a national standard, either by publication of an identical text or by endorsement, at the latest by June 2003, and conflicting national standards shall be withdrawn at the latest by December 2004.

It has been prepared in liaison with Technical Committee CEN/TC 234 "Gas supply".

This standard is a part of a System Standard for plastics piping systems of a particular material for a specified application. There are a number of such System Standards.

System Standards are based on the results of the work undertaken in ISO/TC 138 "Plastics pipes, fittings and valves for the transport of fluids", which is a Technical Committee of the International Organization for Standardization (ISO).

They are supported by separate standards on test methods to which references are made throughout the System Standard.

The System Standards are consistent with general standards on functional requirements and on recommended practice for installation.

EN 1555 consists of the following parts, under the general title *Plastics piping systems for the supply of gaseous fuels – Polyethylene (PE)*:

- *Part 1: General*
- *Part 2: Pipes*
- *Part 3: Fittings* (this standard)
- *Part 4: Valves*
- *Part 5: Fitness for purpose of the system*
- *Part 7: Guidance for assessment of conformity* (to be published as CEN/TS).

NOTE The document dealing with recommended practice for installation which was initially submitted for CEN enquiry as prEN 1555-6 was withdrawn when EN 12007-2^[1], prepared by CEN/TC 234 Gas supply, was published with the title "Gas supply systems - Pipelines for maximum operating pressure up to and including 16 bar – Part 2: Specific functional recommendations for polyethylene (MOP up to and including 10 bar)".

This document includes an informative annex A and a Bibliography.

According to the CEN/CENELEC Internal Regulations, the national standards organizations of the following countries are bound to implement this European Standard : Austria, Belgium, Czech Republic, Denmark, Finland, France, Germany, Greece, Iceland, Ireland, Italy, Luxembourg, Malta, Netherlands, Norway, Portugal, Spain, Sweden, Switzerland and the United Kingdom.

Foreword to amendment A1

This document (EN 1555-3:2002/A1:2005) has been prepared by Technical Committee CEN/TC 155 "Plastics piping systems and ducting systems", the secretariat of which is held by NEN.

This Amendment to the European Standard EN 1555-3:2002 shall be given the status of a national standard, either by publication of an identical text or by endorsement, at the latest by November 2005, and conflicting national standards shall be withdrawn at the latest by November 2005.

According to the CEN/CENELEC Internal Regulations, the national standards organizations of the following countries are bound to implement this European Standard: Austria, Belgium, Cyprus, Czech Republic, Denmark, Estonia, Finland, France, Germany, Greece, Hungary, Iceland, Ireland, Italy, Latvia, Lithuania, Luxembourg, Malta, Netherlands, Norway, Poland, Portugal, Slovakia, Slovenia, Spain, Sweden, Switzerland and United Kingdom.

Introduction

The System Standard, of which this is Part 3, specifies the requirements for a piping system and its components made from polyethylene (PE) and which is intended to be used for the supply of gaseous fuels.

Requirements and test methods for material and components, other than fittings, are specified in EN 1555-1, EN 1555-2 and EN 1555-4. Characteristics for fitness for purpose are covered in EN 1555-5. PrCEN/TS 1555-7 gives guidance for assessment of conformity. Recommended practice for installation is given in EN 12007-2^[1] prepared by CEN/TC 234.

This part of EN 1555 covers the characteristics of fittings.

1 Scope

This part of EN 1555 specifies the characteristics of fusion fittings made from polyethylene (PE) as well as of mechanical fittings made from PE and other materials for piping systems in the field of the supply of gaseous fuels. It also specifies the test parameters for the test methods referred to in this standard.

In conjunction with the other parts of EN 1555 (see Foreword), it is applicable to PE fittings, their joints and to joints with components of PE and other materials intended to be used under the following conditions:

- a) a maximum operating pressure, MOP, up to and including 10 bar ¹⁾;
- b) an operating temperature of 20 °C as reference temperature.

NOTE 1 For other operating temperatures, derating coefficients should be used, see EN 1555-5.

EN 1555 covers a range of maximum operating pressures and gives requirements concerning colours and additives.

NOTE 2 It is the responsibility of the purchaser or specifier to make the appropriate selections from these aspects, taking into account their particular requirements and any relevant national regulations and installation practices or codes.

This standard is applicable for fittings of the following types:

- a) electrofusion socket fittings;
- b) electrofusion saddle fittings;
- c) spigot end fittings (for butt fusion using heated tools and electrofusion socket fusion);
- d) mechanical fittings.

The fittings can e.g. be in the form of couplers, equal and reduced tees, reducers, bends or caps.

2 Normative references

This European Standard incorporates by dated or undated reference, provisions from other publications. These normative references are cited at the appropriate places in the text, and the publications are listed hereafter. For dated references, subsequent amendments to or revisions of any of these publications apply to this European Standard only when incorporated in it by amendment or revision. For undated references the latest edition of the publication referred to applies (including amendments).

EN 682, *Elastomeric seals - Materials requirements for seals used in pipes and fittings carrying gas and hydrocarbon fluids.*

EN 728, *Plastics piping and ducting systems — Polyolefin pipes and fittings — Determination of oxidation induction time.*

EN 921, *Plastics piping systems — Thermoplastics pipes — Determination of resistance to internal pressure at constant temperature.*

EN 1555-1:2002, *Plastics piping systems for the supply of gaseous fuels — Polyethylene (PE) — Part 1: General*

EN 1555-2:2002, *Plastics piping systems for the supply of gaseous fuels — Polyethylene (PE) — Part 2: Pipes.*

EN 1555-5:2002, *Plastics piping systems for the supply of gaseous fuels — Polyethylene (PE) — Part 5: Fitness for purpose of the system.*

EN 1716, *Plastics piping systems - Polyethylene (PE) tapping tees - Test method for impact resistance of an assembled tapping tee.*

¹⁾ 1 bar = 0,1 MPa

EN 12117, *Plastics piping systems - Fittings, valves and ancillaries - Determination of gaseous flow rate/pressure drop relationships.*

EN ISO 1133, *Plastics - Determination of the melt mass-flow rate (MFR) and the melt volume-flow rate (MVR) of thermoplastics (ISO 1133:1997).*

prEN ISO 3126, *Plastics piping systems - Plastics piping components - Measurement and determination of dimensions (ISO/DIS 3126:1999).*

ISO 7-1, *Pipe threads where pressure-tight joints are made on the threads - Part 1: Dimensions, tolerances and designation.*

ISO 228-1, *Pipe threads where pressure-tight joints are not made on the threads - Part 1: Dimensions, tolerances and designation.*

ISO 10838-1, *Mechanical fittings for polyethylene piping systems for the supply of gaseous fuels — Part 1: Metal fittings for pipes of nominal outside diameter less than or equal to 63 mm.*

ISO 10838-2, *Mechanical fittings for polyethylene piping systems for the supply of gaseous fuels — Part 2: Metal fittings for pipes of nominal outside diameter greater than 63 mm.*

ISO 10838-3, *Mechanical fittings for polyethylene piping systems for the supply of gaseous fuels — Part 3: Thermoplastic fittings for pipes of nominal outside diameter less than or equal to 63 mm.*

ISO 13953, *Polyethylene (PE) pipes and fittings - Determination of the tensile strength and failure mode of test pieces from a butt-fused joint.*

ISO 13954, *Plastics pipes and fittings - Peel decohesion test for polyethylene (PE) electrofusion assemblies of nominal outside diameter greater than or equal to 90 mm.*

ISO 13955, *Plastics pipes and fittings - Crushing decohesion test for polyethylene (PE) electrofusion assemblies.*

ISO/DIS 13956, *Plastics pipes and fittings - Determination of cohesive strength - Tear test for polyethylene (PE) assemblies.*

3 Terms and definitions, symbols and abbreviations

For the purposes of this European Standard, the terms and definitions, symbols and abbreviations given in EN 1555-1:2002 apply, together with the following.

3.1

electrofusion socket fitting

polyethylene (PE) fitting which contains one or more integral heating elements, that are capable of transforming electrical energy into heat to realise a fusion joint with a spigot end or a pipe

3.2

electrofusion saddle fitting

polyethylene (PE) fitting which contains one or more integral heating elements, that are capable of transforming electrical energy into heat to realise a fusion joint onto a pipe

3.2.1

tapping tee

electrofusion saddle fitting (top loading or wrap round) which contains an integral cutter, to cut through the wall of the main pipe. The cutter remains in the body of the saddle after installation

3.2.2

branch saddle

electrofusion saddle fitting (top loading or wrap round) which requires an ancillary cutting tool for drilling a hole in the adjoining main pipe

3.3

mechanical fitting

fitting for assembling polyethylene (PE) pipe to another PE pipe or any other element of the piping system. The fitting includes generally a compression part to provide pressure integrity, leaktightness and resistance to end loads. A pipe supporting sleeve providing a permanent support for a polyethylene (PE) pipe to prevent creep in the pipe wall under radial compressive forces, is applicable

NOTE 1 The metallic parts of the fitting can be assembled to metallic pipes by screw-threads, compression joints, welded or flanged connections, including PE flanges. The fitting can allow either a dismantable or permanently assembled joint.

NOTE 2 In some cases the supporting sleeve at the same time constitutes a grip ring.

NOTE 3 The mechanical fitting can be supplied for field assembly or pre-assembled by the manufacturer.

3.4

spigot end fitting

polyethylene (PE) fitting where the outside diameter of the spigot end is equal to the nominal outside diameter, d_n , of the corresponding pipe

3.5

voltage regulation

control of energy supplied, during the fusion process of an electrofusion fitting, by means of the voltage parameter

3.6

intensity regulation

control of energy supplied, during the fusion process of an electrofusion fitting, by means of the current parameter

4 Material

4.1 Compound

The compound from which the fittings are made shall conform to EN 1555-1.

4.2 Material for non-polyethylene parts

4.2.1 General

All components shall conform to the relevant EN standard(s). Alternative standards may be applied in cases where the suitable EN standard(s) do not exist. In all cases fitness for purpose of the components shall be demonstrated.

The materials and the constituent elements used in making the fitting (including rubber, greases and any metal parts as may be used) shall be as resistant to the external and internal environments as the other elements of the piping system and shall have a life expectancy under the following conditions at least equal to that of the PE pipes conforming to EN 1555-2:2002 with which they are intended to be used:

- a) during storage;
- b) under the effect of the gas conveyed therein;
- c) with respect to the service environment and operating conditions.

The requirements for the level of material performance of non-polyethylene parts shall be at least as stringent as that of the compound for the piping system.

Fittings material in contact with the PE pipe shall not adversely affect pipe performance or initiate stress cracking.

4.2.2 Metal parts

All metal parts susceptible to corrosion shall be adequately protected.

When dissimilar metallic materials are used which can be in contact with moisture, steps shall be taken to avoid the possibility of galvanic corrosion.

4.2.3 Elastomers

Elastomeric seals shall conform to EN 682.

Other sealing materials are permitted if suitable for gas service.

4.2.4 Other materials

Greases or lubricants shall not exude onto fusion areas, and shall not affect the long-term performance of fitting materials.

Other materials conforming to 4.2.1 may be used provided that it is proven that the fittings conform to this standard.

5 General characteristics

5.1 Appearance

When viewed without magnification, the internal and external surfaces of fittings shall be smooth, clean and shall have no scoring, cavities and other surface defects to an extent that would prevent conformity to this standard.

No component of the fitting shall show any signs of damage, scratches, pitting, bubbles, blisters, inclusions or cracks to an extent that would prevent conformity of the fittings to the requirements of this standard.

5.2 Colour

The colour of the PE parts of fittings shall be either yellow or black.

5.3 Design

The design of the fitting shall be such that, when assembling the fitting onto the corresponding component, electrical coils and/or seals are not displaced.

5.4 Appearance of the joint (factory-made)

The internal and external surfaces of the pipe and fitting after fusion jointing, examined visually without magnification, shall be free from melt exudation outside the confines of the fitting, apart from that which may be declared acceptable by the fitting manufacturer or used deliberately as a fusion marker.

Any melt exudation shall not cause wire movement in electrofusion fittings such that it leads to short-circuiting, when jointed in accordance with the manufacturer's instructions. There shall be no excessive creasing of the internal surfaces of the adjoining pipes.

5.5 Electrical characteristics for electrofusion fittings

The electrical protection that shall be provided by the fusion process depends on the voltage and the current used and on the characteristics of the electricity power source.

For voltages greater than 25 V, direct human contact with energized parts shall not be possible when the fitting is in the fusion cycle during assembly in accordance with the instructions of the manufacturers of the fittings and of the assembly equipment, as applicable.

NOTE 1 The fitting is during the fusion process part of an electrical system as defined in EN 60335-1^[2], IEC 60364-1:2001^[3] and IEC 60449:1973^[4].

The tolerance on the electrical resistance of the fitting at 23 °C shall be stated by the manufacturer. The resistance shall not exceed the following value: (nominal value \pm 10 %) + 0,1 Ω .

NOTE 2 0,1 Ω is the value of the contact resistance.

The surface finish of the terminal pins shall allow a minimum contact resistance in order to satisfy the resistance tolerance requirements.

NOTE 3 See annex A, for examples of typical electrofusion terminal connections.

6 Geometrical characteristics

6.1 Measurement of dimensions

Dimensions shall be measured in accordance with prEN ISO 3126 at $(23 \pm 2) ^\circ\text{C}$, after being conditioned for at least 4 h. The measurement shall not be made less than 24 h after manufacture.

6.2 Dimensions of electrofusion socket fittings

6.2.1 Diameters and lengths of sockets

For electrofusion sockets (see Figure 1) having a nominal diameter given in Table 1, the socket diameter and lengths shall be given by the manufacturer and shall conform to Table 1 with the following conditions:

- a) $L_3 \geq 5 \text{ mm}$;
- b) $D_2 \geq d_n - 2e_{\text{min}}$

where

- e_{min} is the minimum wall thickness specified for the corresponding pipe conforming to EN 1555-2;
- D_1 is the mean inside diameter in the fusion zone measured in a plane parallel to the plane of the mouth at a distance of $L_3 + 0,5L_2$ from that face;
- D_2 is the bore, which is the minimum diameter of the flow channel through the body of the fitting;
- L_1 is the depth of penetration of the pipe or male end of a spigot fitting. In case of a coupling without stop, it is not greater than half the total length of the fitting;
- L_2 is the heated length within a socket as declared by the manufacturer to be the nominal length of the fusion zone;
- L_3 is the distance between the mouth of the fitting and the start of the fusion zone as declared by the manufacturer to be the nominal unheated entrance length of the fitting.

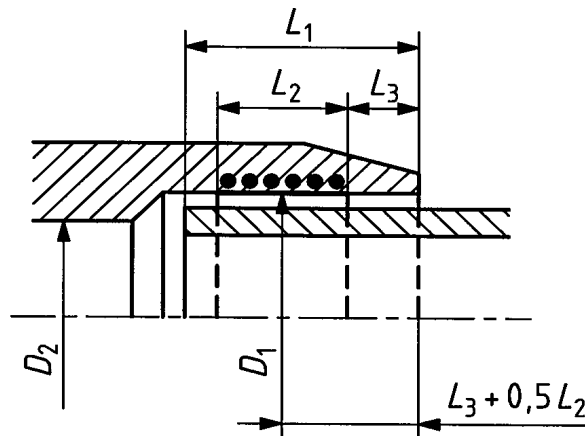


Figure 1 — Dimensions of electrofusion socket fittings

Table 1 — Dimensions of electrofusion socket fittings

Dimensions in millimetres

Nominal diameter d_n	Depth of penetration		$L_{1,max}$	Fusion zone $L_{2,min}$
	$L_{1,min}$			
	Intensity regulation	Voltage regulation		
16	20	25	41	10
20	20	25	41	10
25	20	25	41	10
32	20	25	44	10
40	20	25	49	10
50	20	28	55	10
63	23	31	63	11
75	25	35	70	12
90	28	40	79	13
110	32	53	82	15
125	35	58	87	16
140	38	62	92	18
160	42	68	98	20
180	46	74	105	21
200	50	80	112	23
225	55	88	120	26
250	73	95	129	33
280	81	104	139	35
315	89	115	150	39
355	99	127	164	42
400	110	140	179	47
450	122	155	195	51
500	135	170	212	56
560	147	188	235	61
630	161	209	255	67

The mean inside diameter of the fitting in the middle of the fusion zone D_1 shall be not less than d_n .

The manufacturer shall declare the actual minimum and maximum values of D_1 to allow the end-user to determine their suitability for clamping and joint assembly and fitness for purpose testing in accordance with EN 1555-5:2002.

In the case of a fitting having sockets of differing nominal diameters, each one shall conform to the requirements for the nominal diameter of the corresponding component.

6.2.2 Wall thicknesses

The wall thickness of the body of the fitting at any point, E , shall be equal to or greater than e_{min} for the corresponding pipe at any part of the fitting located at a distance beyond a maximum of $2L_1/3$ from all entrance faces of the fitting when the fitting and the corresponding pipe are made from a polyethylene with the same designation. If the fitting is produced from a polyethylene with MRS designation different from that of the corresponding pipe, then the relationship between the wall thickness of the fitting body, E , and of the pipe, e_n , shall conform to Table 2.

Table 2 — Relation between fitting and pipe wall thicknesses

Pipe and fitting material		Relation between fitting wall thickness, E , and pipe wall thickness, e_n
Pipe	Fitting	
PE 80	PE 100	$E \geq 0,8e_n$
PE 100	PE 80	$E \geq e_n/0,8$

Any changes in wall thickness of the fitting body shall be gradual in order to prevent stress concentrations.

NOTE Electrofusion fittings conforming to ISO 8085-3^[8] are deemed to satisfy the requirements of this document.

6.2.3 Out-of-roundness of the bore of a fitting (at any point)

When a fitting leaves the site of the manufacturer, the out-of-roundness of the bore of a fitting at any point shall not exceed $0,015d_n$.

6.2.4 Spigots

For fittings, which contain spigot outlets (e.g. electrofusion equal tee with a spigotted branch), the dimensions of the spigot shall conform to 6.4.

6.2.5 Other dimensions

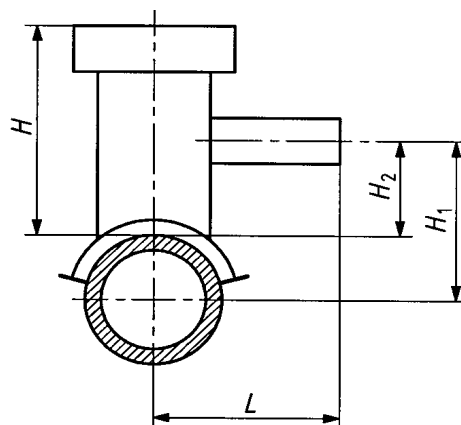
The dimensional characteristics appropriate to each manufacturer such as the overall dimensions or mounting dimensions shall be specified in a technical file.

In the case of a coupling without an internal stop or with a removable centre register, the geometry of the fitting shall allow the penetration of the pipe through the fitting.

6.3 Dimensions of electrofusion saddle fittings

Outlets from tapping tees and branch saddles shall have spigots conforming to 6.4 or an electrofusion socket conforming to 6.2.

The manufacturer shall specify the overall dimensions of the fitting in a technical file. These dimensions shall include the maximum height of the saddle, H , and for tapping tees the height of the service pipe, H_1 or H_2 (see Figure 2).



Key

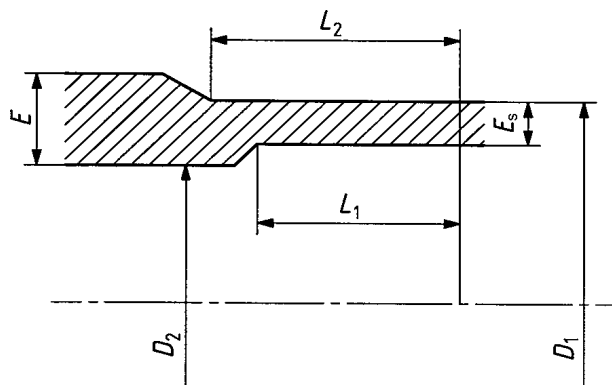
- H is the maximum height of the saddle, which comprises the distance from the top of the main pipe to the top of the tapping tee or saddle.
- H_1 is the height of service pipe, which comprises the distance from the axis of the main pipe to the axis of the service pipe.
- H_2 is the height of service pipe, which comprises the distance from the top of the main pipe to the axis of the service pipe.
- L is the width of the tapping tee, which comprises the distance between the axis of the pipe and the plane of the mouth of the service tee

Figure 2 — Dimensions of electrofusion saddle fittings

6.4 Dimensions of spigot end fittings

6.4.1 Diameters and lengths

The dimensions of spigot end fittings (see Figure 3) shall conform to the values given in Table 3.



Key

- D_1 is the mean outside diameter of the fusion end, measured in any plane parallel to the plane of the entrance face at a distance not greater than L_2 from that plane;
- D_2 is the bore, which is the minimum diameter of the flow channel through the body of the fitting. The measurement of the diameter does not include the fusion bead, if any;
- E is the wall thickness of the body of the fitting measured at any point;
- E_s is the fusion face wall thickness measured at any point over a distance up to a maximum of L_1 from the entrance face of the spigot;
- L_1 is the cut back length of the inside of the fusion end piece, which is the initial depth of the spigot end necessary for butt fusion.
- L_2 is the tubular length of the outside of the fusion end piece, which is the initial length of the fusion end piece.

Figure 3 — Dimensions of spigot end fittings

The cut back length, L_1 , may also be obtained by jointing a length of pipe to the spigot end fitting provided that the wall thickness of the latter is equal to E_s for its whole length.

The tubular length shall allow the following operations, in any combination:

- a) use of clamps required in the case of butt fusion or electrofusion;
- b) assembly with an electrofusion socket.

Table 3 — Diameters and lengths of spigot end fittings

Dimensions in millimetres

Nominal diameter d_n	Mean outside diameter of the fusion end			Out-of-roundness max	Minimum bore $D_{2,min}$	Cut back length $L_{1,min}$	Tubular length ^b $L_{2,min}$
	$D_{1,min}$	$D_{1,max}$ Grade A ^a	$D_{1,max}$ Grade B ^a				
16	16	—	16,3	0,3	9	25	41
20	20	—	20,3	0,3	13	25	41
25	25	—	25,3	0,4	18	25	41
32	32	—	32,3	0,5	25	25	44
40	40	—	40,4	0,6	31	25	49
50	50	—	50,4	0,8	39	25	55
63	63	—	63,4	0,9	49	25	63
75	75	—	75,5	1,2	59	25	70
90	90	—	90,6	1,4	71	28	79
110	110	—	110,7	1,7	87	32	82
125	125	—	125,8	1,9	99	35	87
140	140	—	140,9	2,1	111	38	92
160	160	—	161,0	2,4	127	42	98
180	180	—	181,1	2,7	143	46	105
200	200	—	201,2	3,0	159	50	112
225	225	—	226,4	3,4	179	55	120
250	250	—	251,5	3,8	199	60	129
280	280	282,6	281,7	4,2	223	75	139
315	315	317,9	316,9	4,8	251	75	150
355	355	358,2	357,2	5,4	283	75	164
400	400	403,6	402,4	6,0	319	75	179
450	450	454,1	452,7	6,8	359	100	195
500	500	504,5	503,0	7,5	399	100	212
560	560	565,0	563,4	8,4	447	100	235
630	630	635,7	633,8	9,5	503	100	255

a The tolerance grades conform to ISO 11922-1: 1997^[5].

b Spigot end fittings may be delivered with shorter tubular length L_2 for factory assemblies or in association with appropriate electrofusion fittings.

6.4.2 Wall thickness of the fusion end

The wall thickness of the fusion end, E_s , shall be at least equal to the minimum wall thickness of the pipe, except between the plane of the entrance face and a plane parallel to it, located at a distance not greater than $(0,01d_e + 1\text{ mm})$, where a thickness reduction for e.g. a chamfered edge is permissible.

6.4.3 Wall thickness of the fitting body

The wall thickness, E , of the fitting body measured at any point, shall be at least equal to the nominal wall thickness, e_n , of the pipe.

The permissible tolerance of the wall thickness, E , at any point shall conform to those of the nominal wall thicknesses given in EN 1555-2.

Any changes in wall thickness inside the body of the fitting shall be gradual in order to prevent stress concentrations.

6.4.4 Other dimensions

The dimensional characteristics appropriate to each manufacturer, such as overall dimensions or clamping requirements shall be stated in a technical file.

6.5 Dimensions of mechanical fittings

6.5.1 General

The dimensions of mechanical fittings shall conform to ISO 10838-1, ISO 10838-2 or ISO 10838-3, as applicable and shall be capable of assembly on to PE pipe conforming to EN 1555-2.

The fittings shall be designed and manufactured in such a way that they may be used buried or above ground (see EN 12007:2000^[1]). Pre-assembled mechanical fittings shall not be capable of being dismantled.

The fittings shall be designed to avoid twisting of the PE pipe during assembly.

The fittings shall include, if required, a means for anchoring an anti-shear sleeve.

The fittings shall not be assembled to the PE pipe by screw threads.

6.5.2 Mechanical fittings with polyethylene spigot ends

Polyethylene spigot ends shall conform to 6.4.

6.5.3 Mechanical fittings with polyethylene electrofusion sockets

Electrofusion sockets shall conform to 6.2.

6.5.4 Threads

Threads on metal ends shall conform to ISO 7-1 or ISO 228-1, as applicable.

7 Mechanical characteristics

7.1 General

NOTE 1 The properties of a joint depend upon the properties of the pipes and fittings and on the conditions of their installation (i.e. geometry, temperature, type, method of conditioning, mounting or clamping and fusion procedures).

The technical descriptions of the manufacturer shall include the following information:

a) field of application:

- pipe and fitting temperature limits;
- pipe series or SDRs;
- ovality;

b) assembly instructions;

c) fusion instructions:

- fusion parameters with limits;

d) data for saddles and tapping tees:

- the means of attachment (tools and/or underclamp);
- the need to maintain the underclamp in position in order to ensure the performances of the assembly.

In the event of modification of the fusion parameters, the manufacturer shall ensure that the joint conforms to EN 1555-5.

EN 1555-3:2002 (E)

NOTE 2 Sample test assemblies should take account of manufacturing tolerances, assembly tolerances and ambient temperature variations at which the fittings can be used. The manufacturer should take due consideration of the recommended practices for installation of PE fittings, given in EN 12007-2:2000^[1].

Fittings shall be tested using pipes, which conform to EN 1555-2.

Jointed pipe and fitting test pieces shall be assembled in accordance with the technical instructions of the manufacturer and take into account the limit conditions of utilisation described in EN 1555-5. The sample test assemblies shall take account of manufacturing and assembly tolerances.

In the event of modification of the jointing parameters, the manufacturer shall ensure that the joint conforms to the requirements given in 7.2.

7.2 Requirements

Unless otherwise specified by the applicable test method, the test pieces shall be conditioned at (23 ± 2) °C before testing in accordance with Table 4.

When tested in accordance with the test methods as specified in Table 4 using the indicated parameters, the fittings shall have mechanical characteristics conforming to the requirements given in Table 4, as applicable to the following types of fitting :

- (A) electrofusion socket fitting;
- (B) electrofusion saddle fitting;
- (C) spigot end fitting.

For mechanical fittings, the requirements of ISO 10838-1, ISO 10838-2 or ISO 10838-3 shall apply as applicable.

Table 4 — Mechanical characteristics

Characteristic	Requirements	Test parameters		Test method
		Parameter	Value	
Hydrostatic strength (20 °C, 100 h)	No failure during test period of any test piece	End caps Orientation Conditioning time Number of test pieces ^a Type of test Circumferential (hoop) stress in pipe for: PE 80 PE 100 Test period Test temperature	Type a) Free Shall conform to EN 921 3 Water-in-water 10,0 MPa 12,4 MPa 100 h 20 °C	EN 921
Hydrostatic strength (80 °C, 165 h)	No failure during test period of any test piece ^b	End caps Orientation Conditioning time Number of test pieces ^a Type of test Circumferential (hoop) stress in pipe for: PE 80 PE 100 Test period Test temperature	Type a) Free Shall conform to EN 921 3 Water-in-water 4,5 MPa 5,4 MPa 165 h 80 °C	EN 921

continued

Table 4 — Mechanical characteristics (concluded)

Characteristic	Requirements	Test parameters		Test method
		Parameter	Value	
Hydrostatic strength (80 °C, 1000 h)	No failure during test period of any test piece	End caps Orientation Conditioning time Number of test pieces ^a Type of test Circumferential (hoop) stress in pipe for: PE 80 PE 100 Test period Test temperature	Type a) Free Shall conform to EN 921 3 Water-in-water 4,0 MPa 5,0 MPa 1000 h 80 °C	EN 921
Decohesive resistance (A)	Length of initiation rupture $\leq L_2/3$ in brittle failure	Test temperature Number of test pieces ^a	23 °C Shall conform to ISO 13954 and ISO 13955	ISO 13954 ISO 13955
Cohesive strength (B)	Surface of rupture $\leq 25\%$ brittle failure	Test temperature Number of test pieces ^a	23 °C Shall conform to ISO/DIS 13956	ISO/DIS 13956
Tensile strength for butt fusion (C)	Test to failure: ductile - pass brittle - fail	Test temperature Number of test pieces ^a	23 °C Shall conform to ISO 13953	ISO 13953
Impact resistance (B)	No failure, no leakage	Test temperature Falling height Mass of the striker Number of test pieces ^a	0 °C 2 m 2,5 kg 1	EN 1716
Pressure drop (B)	Air flow rate (value indicated by the manufacturer)	Test medium Test pressure Pressure drop: for $d_n \leq 63$ mm for $d_n > 63$ mm Number of test pieces ^a	Air source 25 mbar 0,5 mbar 0,1 mbar 1	EN 12117

a The numbers of test pieces given indicate the numbers required to establish a value for the characteristic described in the table. The numbers of test pieces required for factory production control and process control should be listed in the manufacturer's quality plan. For guidance see prCEN/TS 1555-7.

b Only brittle failures shall be taken into account. If a ductile failure occurs before 165 h, the test may be repeated at a lower stress. The stress and the associated minimum test period shall be selected from Table 5 or from a line based on the stress/time points given in Table 5.

Table 5 — Circumferential (hoop) stress at 80 °C and associated minimum test period

PE 80		PE 100	
Stress MPa	Minimum test period h	Stress MPa	Minimum test period h
4,5	165	5,4	165
4,4	233	5,3	256
4,3	331	5,2	399
4,2	474	5,1	629
4,1	685	5,0	1000
4,0	1000	—	—

8 Physical characteristics

8.1 Conditioning

Unless otherwise specified by the applicable test method, the test pieces shall be conditioned at (23 ± 2) °C before testing in accordance with Table 6.

8.2 Requirements

When tested in accordance with the test methods as specified in Table 6 using the indicated parameters, the fittings shall have physical characteristics conforming to the requirements given in Table 6.

Table 6 — Physical characteristics

Characteristic	Requirements	Test parameters		Test method
		Parameter	Value	
Oxidation induction time (Thermal stability)	> 20 min	Test temperature Number of test pieces ^a	200 °C ^b 3	EN 728
Melt mass-flow rate (MFR)	After processing maximum deviation of ± 20 % of the value measured on the batch used to manufacture the fitting	Loading mass Test temperature Time Number of test pieces ^a	5 kg 190 °C 10 min Shall conform to EN ISO 1133	EN ISO 1133
<p>a The numbers of test pieces given indicate the numbers required to establish a value for the characteristic described in the table. The numbers of test pieces required for factory production control and process control should be listed in the manufacturer's quality plan. For guidance see prCEN/TS 1555-7^[6].</p> <p>b Test may be carried out at 210 °C providing that there is a clear correlation to the results at 200 °C; in case of dispute the reference temperature shall be 200 °C.</p>				

9 Performance requirements

When fittings conforming to this standard are assembled to each other or to components conforming to other parts of EN 1555, the joints shall conform to EN 1555-5.

10 Marking

10.1 General

10.1.1 Unless otherwise stated in Table 7, the marking elements shall be printed or formed directly on the fitting in such a way that after storage, weathering, handling and installation legibility is maintained during the use of the fitting.

NOTE The manufacturer is not responsible for marking being illegible, due to actions caused during installation and use such as painting, scratching, covering of the components or using detergents etc. on the components unless agreed or specified by the manufacturer.

10.1.2 Marking shall not initiate cracks or other types of defects which adversely influence the performance of the fitting.

10.1.3 If printing is used, the colour of the printed information shall differ from the basic colour of the fitting.

10.1.4 The size of the marking shall be such that it is legible without magnification.

10.1.5 There shall be no marking over the minimum spigot length of fittings.

10.2 Minimum required marking

The minimum required marking shall conform to Table 7.

Table 7 — Minimum required marking

Aspects	Mark or symbol
Number of the System Standard ^a	EN 1555
Manufacturer's name and/or trademark	Name or symbol
Nominal outside diameter(s) of pipe, d_n	e.g. 110
Material and designation	e.g. PE 80
Design application series	e.g. SDR 11
SDR fusion range ^a	e.g. SDR 11 - SDR 26
Manufacturer's information	^b
Internal fluid ^a	Gas
<p>a This information may be printed on a label associated with the fitting or on an individual bag.</p> <p>b For providing traceability, the following details shall be given:</p> <ul style="list-style-type: none"> - the production period, year and month, in figures or in code; - a name or code for the production site if the manufacturer is producing in different sites. 	

10.3 Additional marking

Additional information relative to the fusion conditions (e.g. fusion and cooling time) and to the assembly torque, only for mechanical fittings, may appear on a label, which may be attached to a fitting or may be separate from the fitting.

Tolerance grade should be printed on a label, which may be attached on a fitting or may be separated from the fitting.

Fittings conforming to this standard, which are third party certified by a certification body, may be marked accordingly.

NOTE Attention is drawn to the possible need to include CE marking when required for legislative purposes.

11 Delivery conditions

The fittings shall be packaged in bulk or individually protected where necessary in order to prevent deterioration. Whenever possible, they shall be placed in individual bags, in cardboard boxes or cartons.

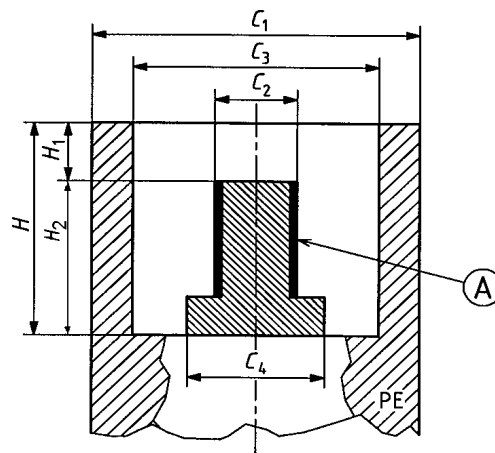
The cartons and/or individual bags shall bear at least one label with the manufacturer's name, type and dimensions of the part, number of units in the box, and any special storage conditions and storage time limits.

Annex A (informative)

Examples of typical terminal connection for electrofusion fittings

A.1 Figures A.1 and A.2 illustrate examples of terminal connections suitable for use with voltages less than or equal to 48 volts (types A and B).

Dimensions in millimetres

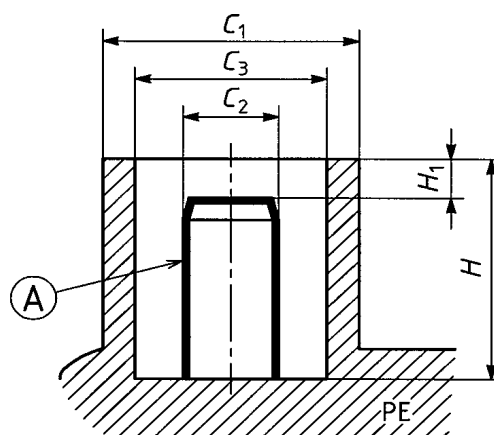


Key

A	is the active zone	
C_1	is the outside diameter of the terminal shroud	$C_1 \geq 11,8$
C_2	is the diameter of the active part of the terminal	$C_2 = 4,00 \pm 0,03$
C_3	is the internal diameter of the terminal	$C_3 = 9,5 \pm 1,0$
C_4	is the maximum overall diameter of the base of the active part	$C_4 \leq 6,0$
H	is the internal depth of the terminal	$H \geq 12,0$
H_1	is the distance between the upper part of the terminal shroud and the active part	$H_1 = 3,2 \pm 0,5$
H_2	is the height of the active part	$H_2 \geq 7$
		$H_2 \leq H - H_1$

Figure A.1 — Typical type A connection

Dimensions in millimetres

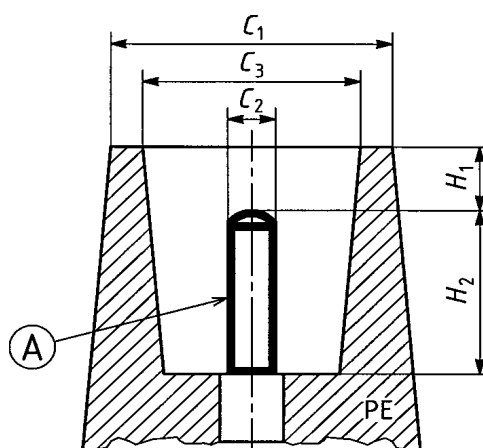
**Key**

A	is the active zone	
C_1	is the outside diameter of the terminal shroud	$C_1 = 13,00 \pm 0,5$
C_2	is the diameter of the active part of the terminal	$C_2 = 4,70 \pm 0,03$
C_3	is the internal diameter of the terminal	$C_3 = 10,0^{+0,5}_0$
H	is the internal depth of the terminal	$H \geq 15,5$
H_1	is the distance between the upper part of the terminal shroud and the active part	$H_1 = 4,5 \pm 0,5$

Figure A.2 — Typical type B connection

A.2 Figure A.3 illustrates an example of a typical terminal connection suitable for use with voltages up to 250 V (type C).

Dimensions in millimetres

**Key**

A	is the active zone	
C_1	is the outside diameter of the terminal shroud	$C_1 \geq C_3 + 2,0$
C_2	is the diameter of the active part of the terminal	$C_2 \geq 2,0$
C_3	is the internal diameter of the terminal	$C_3 \geq C_2 + 4,0$
H_1	is the distance between the upper part of the terminal shroud and the active part	H_1 : sufficient to ensure a degree of protection of IP 2 X as defined in IEC 60529:2001 ^[7]
H_2	is the height of the active part	$H_2 \geq 7,0$

Figure A.3 — Typical type C connection

Bibliography

- [1] EN 12007-2:2000, *Gas supply systems — Pipelines for maximum operating pressure up to and including 16 bar — Part 2: Specific functional recommendations for polyethylene (MOP up to and including 10 bar)*.
- [2] EN 60335-1, *Safety of household and similar electrical appliances — Part 1: General requirements (IEC 335-1:1991, modified)*.
- [3] IEC 60364-1:2001, *Electrical installations of buildings - Part 1: Fundamental principles, assessment of general characteristics, definitions*.
- [4] IEC 60449:1973, *Voltage bands for electrical installations of buildings*.
- [5] ISO 11922-1:1997, *Thermoplastics pipes for the conveyance of fluids — Dimensions and tolerances — Part 1: Metric series*.
- [6] prCEN/TS 1555-7, *Plastics piping systems for the supply of gaseous fuels - Polyethylene (PE) - Part 7: Guidance for the assessment of conformity*.
- [7] IEC 60529:2001, *Degrees of protection provided by enclosures (IP code)*.
- [A₁] [8] ISO 8085-3, *Polyethylene fittings for use with polyethylene pipes for the supply of gaseous fuels — Metric series — Specifications — Part 3: Electrofusion fittings*. [A₁]

BS EN 1555-3:2002

National Annex NA (informative)

Additional information on the selection and installation of piping systems and components in the UK

The responsible UK committee gives the following advice concerning the selection and installation of piping systems and components conforming to this British Standard.

- a) Gas supply companies and other entities deemed to be within the scope of the Public Procurement Directive (PPD) are obliged to use EN 1555-1, EN 1555-2, EN 1555-3, EN 1555-4 and EN 1555-5, produced under EC/U mandate, if they wish to purchase PE pipe systems or components within its scope.
- b) Where there are options, care should be taken to ensure that agreement is established between suppliers and purchasers, e.g. in terms of colour, size, physical characteristics and quality assurance.
- c) For colour it is the practice of UK gas companies to use yellow PE fittings¹⁾ to facilitate identification of buried gas pipelines, in accordance with the recommendations of the National Joint Utilities Group (NJUG) concerning the colour coding of pipelines and other services.
- d) The electrical characteristics for PE electrofusion fittings are detailed in **5.5**. Applied fitting voltage and terminal pin geometry are loosely specified thus permitting a variety of systems to be used. Reference should be made to the relevant specification of the national network distributor(s)¹⁾ to ensure voltage and terminal pin geometry are compatible with UK practice.
- e) The bore dimensions of electrofusion socket fittings are not rigidly specified and the fitting manufacturer has to declare appropriate values to allow the end-user to establish suitability for joint assembly. Acceptable bore dimensions are referenced in the relevant standard of the national network distributor(s)¹⁾.
- f) The body wall thickness of electrofusion socket fittings as specified in **6.2.2** does not fully reflect current practice. The latest current practice is given in ISO 8085-3 and this has been adopted in the relevant standard of the national network distributor(s)¹⁾. The alignment of EN 1555-3 with ISO 8085-3 is currently being pursued by CEN/TC 155.
- g) Table 1 includes the specification of minimum values for fusion zone lengths. For applications within the UK gas industry suitable fusion lengths greater than the CEN minimum are specified in the relevant standard of the national network distributor(s)¹⁾.
- h) Minimum values of tubular length of spigot end fittings are specified in Table 3, while in **6.4.1** tubular lengths greater than minimum are permitted

¹⁾ The relevant standard published by the current national network distributor, Transco, is: T/SP/PL2: Part 4.

for the purpose of assembly. Tubular lengths in use in the UK gas industry are specified in the relevant standard of the national network distributor(s)²⁾

- i) Mechanical fittings are not specified in detail but normative reference is made to the ISO 10838 suite of standards to ensure a high resistance of the fitting and joint to longitudinally applied pipeline interference loads. The resistance of fittings to end load is dealt with in the relevant specification of the national network distributor(s)³⁾.
- j) Table 4 includes a pressure drop requirement for electrofusion tapping tees in which the manufacturer is required to indicate a value of air flow for a specified pressure drop. The national network distributor(s) should be consulted for advice on acceptable pressure drop values⁴⁾.

²⁾ The relevant standard published by the current national network distributor, Transco, is: T/SP/PL2: Part 6.

³⁾ The relevant standard published by the current national network distributor, Transco, is: T/SP/PL2: Part 3.

⁴⁾ Currently, the national network distributor is Transco.

BSI — British Standards Institution

BSI is the independent national body responsible for preparing British Standards. It presents the UK view on standards in Europe and at the international level. It is incorporated by Royal Charter.

Revisions

British Standards are updated by amendment or revision. Users of British Standards should make sure that they possess the latest amendments or editions.

It is the constant aim of BSI to improve the quality of our products and services. We would be grateful if anyone finding an inaccuracy or ambiguity while using this British Standard would inform the Secretary of the technical committee responsible, the identity of which can be found on the inside front cover. Tel: +44 (0)20 8996 9000. Fax: +44 (0)20 8996 7400.

BSI offers members an individual updating service called PLUS which ensures that subscribers automatically receive the latest editions of standards.

Buying standards

Orders for all BSI, international and foreign standards publications should be addressed to Customer Services. Tel: +44 (0)20 8996 9001. Fax: +44 (0)20 8996 7001. Email: orders@bsi-global.com. Standards are also available from the BSI website at <http://www.bsi-global.com>.

In response to orders for international standards, it is BSI policy to supply the BSI implementation of those that have been published as British Standards, unless otherwise requested.

Information on standards

BSI provides a wide range of information on national, European and international standards through its Library and its Technical Help to Exporters Service. Various BSI electronic information services are also available which give details on all its products and services. Contact the Information Centre. Tel: +44 (0)20 8996 7111. Fax: +44 (0)20 8996 7048. Email: info@bsi-global.com.

Subscribing members of BSI are kept up to date with standards developments and receive substantial discounts on the purchase price of standards. For details of these and other benefits contact Membership Administration. Tel: +44 (0)20 8996 7002. Fax: +44 (0)20 8996 7001. Email: membership@bsi-global.com.

Information regarding online access to British Standards via British Standards Online can be found at <http://www.bsi-global.com/bsonline>.

Further information about BSI is available on the BSI website at <http://www.bsi-global.com>.

Copyright

Copyright subsists in all BSI publications. BSI also holds the copyright, in the UK, of the publications of the international standardization bodies. Except as permitted under the Copyright, Designs and Patents Act 1988 no extract may be reproduced, stored in a retrieval system or transmitted in any form or by any means – electronic, photocopying, recording or otherwise – without prior written permission from BSI.

This does not preclude the free use, in the course of implementing the standard, of necessary details such as symbols, and size, type or grade designations. If these details are to be used for any other purpose than implementation then the prior written permission of BSI must be obtained.

Details and advice can be obtained from the Copyright & Licensing Manager. Tel: +44 (0)20 8996 7070. Fax: +44 (0)20 8996 7553. Email: copyright@bsi-global.com.